



2025

CCAC NATIONAL WORKSHOP ATELIER NATIONAL DU CCPA



April 30 – May 1, 2025 | le 30 avril au 1 mai 2025

Westin Wall Centre, Vancouver Airport | Richmond, BC

PROGRAM | WEDNESDAY, APRIL 30, 2025

Subject to change – session availability will be determined by the number of registrants.

7:15 – 8:30

Registration and Breakfast

📍 Airport Ballroom Foyer

8:30 – 10:00

Participants **will be assigned** to one of the following concurrent sessions. Please note that these sessions are repeated in the afternoon and delivered by the same facilitators.

Determining the Categories of Welfare Impact: A Practical Exercise

Good animal-based science requires an understanding of the experiences of the animals used, both for ethical reasons and to optimize the results of scientific activities. The *CCAC guidelines: Categories of welfare impact* acknowledges that the welfare of animals used in science can be impacted in diverse ways, and describes how expected welfare impacts should be determined and summarized into descriptive categories, and then confirmed retrospectively. This session will provide participants with practical, hands-on experience in determining categories of welfare impact both prospectively and retrospectively, as well as the opportunity to share best practices and challenges.

A laptop/tablet will be required for this session.

Facilitators: Dr. Marc Avey | Canadian Council on Animal Care
Dr. Catherine Schuppli | University of British Columbia
Dr. Madeleine Stephens | University of British Columbia
Dr. Po-Yan Cheng | University of British Columbia

📍 Airport Ballroom AB

Ethical Animal Care and Use Programs: Essential Elements

This session will focus on elements essential to all ethical animal care and use programs. It will explore the role and responsibility of the animal care committee and focus on the challenges noted during assessments. Topics will include: protocol review; post-approval monitoring; animal welfare assessment; endpoints; and internal incident reporting and root cause analysis.

Facilitators: Dr. Mélanie Tremblay | Canadian Council on Animal Care
Dr. Neila Ben Sassi | Canadian Council on Animal Care

📍 Airport Ballroom CD

10:00 – 10:15

Refreshment Break

📍 Airport Ballroom Foyer



10:15 – 11:45

Determining the Categories of Welfare Impact: A Practical Exercise

Continuation of morning session plus Question and Answer period.

A laptop/tablet will be required for this session.

Facilitators: Dr. Marc Avey | Canadian Council on Animal Care
Dr. Catherine Schuppli | University of British Columbia
Dr. Madeleine Stephens | University of British Columbia
Dr. Po-Yan Cheng | University of British Columbia

📍 Airport Ballroom AB

Ethical Animal Care and Use Programs: Essential Elements

Continuation of morning session plus Question and Answer period.

Facilitators: Dr. Mélanie Tremblay | Canadian Council on Animal Care
Dr. Neila Ben Sassi | Canadian Council on Animal Care

📍 Airport Ballroom CD

11:45 – 12:45

Lunch

📍 Airport Ballroom Foyer

12:45 – 14:15

Participants **will be assigned** to one of the following concurrent sessions. Please note that the sessions listed below are repeated from those offered in the morning and are delivered by the same facilitators.

Determining the Categories of Welfare Impact: A Practical Exercise

Good animal-based science requires an understanding of the experiences of the animals used, both for ethical reasons and to optimize the results of scientific activities. The *CCAC guidelines: Categories of welfare impact* acknowledges that the welfare of animals used in science can be impacted in diverse ways, and describes how expected welfare impacts should be determined and summarized into descriptive categories, and then confirmed retrospectively. This session will provide participants with practical, hands-on experience in determining categories of welfare impact both prospectively and retrospectively, as well as the opportunity to share best practices and challenges.

A laptop/tablet will be required for this session.

Facilitators: Dr. Marc Avey | Canadian Council on Animal Care
Dr. Catherine Schuppli | University of British Columbia
Dr. Madeleine Stephens | University of British Columbia
Dr. Po-Yan Cheng | University of British Columbia

📍 Airport Ballroom CD

Ethical Animal Care and Use Programs: Essential Elements

This session will focus on elements essential to all ethical animal care and use programs. It will explore the role and responsibility of the animal care committee and focus on the challenges noted during assessments. Topics will include: protocol review; post-approval monitoring; animal welfare assessment; endpoints; and internal incident reporting and root cause analysis.

Facilitators: Dr. Mélanie Tremblay | Canadian Council on Animal Care
Dr. Neila Ben Sassi | Canadian Council on Animal Care

📍 Airport Ballroom AB



14:15 – 14:30

Refreshment Break

📍 Airport Ballroom Foyer

14:30 – 16:00

Determining the Categories of Welfare Impact: A Practical Exercise

Continuation of afternoon session plus Question and Answer period.

A laptop/tablet will be required for this session.

Facilitators: [Dr. Marc Avey](#) | Canadian Council on Animal Care
[Dr. Catherine Schuppli](#) | University of British Columbia
[Dr. Madeleine Stephens](#) | University of British Columbia
[Dr. Po-Yan Cheng](#) | University of British Columbia

📍 Airport Ballroom CD

Ethical Animal Care and Use Programs: Essential Elements

Continuation of afternoon session plus Question and Answer period.

Facilitators: [Dr. Mélanie Tremblay](#) | Canadian Council on Animal Care
[Dr. Neila Ben Sassi](#) | Canadian Council on Animal Care

📍 Airport Ballroom AB

17:30 – 20:00

CCAC RECEPTION

All registered participants of the CCAC National Workshop 2025 are invited to attend our evening cocktail reception. Enjoy a complimentary beverage as you relax, network, and connect with the broader CCAC community. The winners of the CCAC Recognition awards will also be presented at this event.

📍 [Richmond Olympic Experience](#)
6111 River Road, Richmond, BC, V7C 0A2





PROGRAM | THURSDAY, MAY 1, 2025

Subject to change – session availability will be determined by the number of registrants.

7:15 – 8:15

Registration and Breakfast

📍 Airport Ballroom Foyer

8:15 – 8:30

Welcome Remarks

Ms. Catherine Rushton | Chair, CCAC
Mr. Pierre Verreault | Executive Director, CCAC

📍 Airport Ballroom ABCD

8:30 – 9:30

Plenary Session

Lost in Translation: Improving Translation and the Three Rs by Using Sex as a Discovery Variable in Animal Models

Moderator: Ms. Catherine Rushton | Chair, CCAC

Speaker: Dr. Liisa Galea | University of Toronto

📍 Airport Ballroom ABCD

9:30 – 9:45

Travel Time to Next Session

BREAKOUT SESSIONS

9:45 – 10:45

Participants will choose **one** of the following concurrent sessions. Please note that the breakout sessions listed below are also offered in the afternoon and will be delivered by the same facilitators.

Reptiles

The recently published *CCAC guidelines: Reptiles* details evidence-based practices and the CCAC's expectations regarding the care given to reptiles and the manner in which scientific procedures are performed. This session, targeted to protocol authors, animal care committees, facility managers, veterinarians, and animal care personnel, will provide an overview of the guidelines document and offer the opportunity to discuss the new guidelines and share best practices and challenges in working with various reptile species.

Facilitator: Dr. Jonathan Spears | University of Prince Edward Island

📍 Lulu Island



Scientific Procedures – Administration of Substances and Biological Sampling

The recently published *CCAC guidelines: Scientific procedures (Part A – Administration of substances and biological sampling)* recognizes that the way substances are administered, and biological samples are collected, can significantly affect animal welfare and the scientific value of the results. The guidelines provide guidance on planning and conducting these procedures. This session will review the guidelines document and offer the opportunity to discuss the new guidelines and share best practices and challenges in the administration of substances and biological sampling.

Facilitator: Dr. Shawn Davis | University of Toronto Mississauga

📍 Steveston

Scientific Procedures – Analgesia, Anesthesia, and Surgery

The recently published *CCAC guidelines: Scientific procedures (Part B – Analgesia, anesthesia, and surgery)* defines pain in animals and describes the consequences of unmitigated pain for animal welfare and scientific outcomes. It provides guidance on planning and conducting scientific activities that minimize pain through the application of analgesia and anesthesia. The document also provides guidance specific to surgical procedures. This session will provide an overview of the guidelines document and offer the opportunity to discuss the new guidelines and share best practices and challenges in analgesia, anesthesia, and surgery.

Facilitator: Dr. Chereen Collymore | Charles River Laboratories Montréal ULC
Senneville & Sherbrooke

📍 Bridgeport

10:45 – 11:00

Refreshment Break / Travel Time to Next Session

📍 Airport Ballroom Foyer

BREAKOUT SESSIONS

11:00 – 12:00

Participants will choose **one** of the following concurrent sessions. Please note that the breakout sessions listed below are also offered in the afternoon and will be delivered by the same facilitators.

Enhancing Animal Welfare and Scientific Rigour: Effective Habituation Techniques

Good animal welfare leads to better scientific outcomes. The process of habituation reduces stress in laboratory animals by gradually acclimating them to handling and procedures. It helps them adapt to human interaction and various scientific procedures through gradual training and positive reinforcement, and it helps laboratory staff to be mindful of the first signs of animal distress. This session will provide an overview of habituation techniques and offer the opportunity to share best practices and challenges.

Facilitator: Mr. Sam Laxer | Western University

📍 Steveston



Assessing the Welfare of Wildlife Animals

Assessing the welfare of wild animals and reporting welfare issues are important for minimizing negative welfare impacts during scientific activities, as is the efficacy of any mitigation measures, and will assist in refining procedures and humane intervention points for future activities. The *CCAC guidelines: Wildlife* lists potential indicators for assessing the welfare of wild animals and notes that any indicator must be tailored to the species and age of the animal and the type of scientific activity. This session will provide an overview of welfare assessment for wildlife and offer the opportunity to share best practices and challenges.

Facilitator: Dr. Shannon Digweed | MacEwan University

📍 Bridgeport

Reducing Teaching Animals in Veterinary Education

Veterinary training programs are increasingly adopting lifelike animal models, virtual reality, and client-owned animals as alternatives to institutionally owned colonies in their educational curriculum. Minimizing or eliminating purpose-bred and colony-maintained animals addresses the Three Rs and the overall progress of an institution towards improving animal welfare. The implementation of animal alternatives may be driven, or hindered, by many factors including student engagement, teaching modalities, institutional finances, and accreditation requirements. This session will explore one institution's history of introducing alternatives into their veterinary professional program with a focus on their recent discontinuation of maintaining teaching beagles.

Facilitator: Dr. Jonathan Spears | University of Prince Edward Island

📍 Lulu Island

12:00 – 13:15

Lunch

📍 Airport Ballroom Foyer

BREAKOUT SESSIONS

13:15 – 14:15

Participants will choose **one** of the following concurrent sessions. Please note that the breakout sessions listed below are repeated from those offered in the morning and are delivered by the same facilitators.

Reptiles

The recently published *CCAC guidelines: Reptiles* details evidence-based practices and the CCAC's expectations regarding the care given to reptiles and the manner in which scientific procedures are performed. This session, targeted to protocol authors, animal care committees, facility managers, veterinarians, and animal care personnel, will provide an overview of the guidelines document and offer the opportunity to discuss the new guidelines and share best practices and challenges in working with various reptile species.

Facilitator: Dr. Jonathan Spears | University of Prince Edward Island

📍 Lulu Island



Scientific Procedures – Administration of Substances and Biological Sampling

The recently published *CCAC guidelines: Scientific procedures (Part A – Administration of substances and biological sampling)* recognizes that the way substances are administered, and biological samples are collected, can significantly affect animal welfare and the scientific value of the results. The guidelines provide guidance on planning and conducting these procedures. This session will review the guidelines document and offer the opportunity to discuss the new guidelines and share best practices and challenges in the administration of substances and biological sampling.

Facilitator: Dr. Shawn Davis | University of Toronto Mississauga

📍 Bridgeport

Scientific Procedures – Analgesia, Anesthesia, and Surgery

The recently published *CCAC guidelines: Scientific procedures (Part B – Analgesia, anesthesia, and surgery)* defines pain in animals and describes the consequences of unmitigated pain for animal welfare and scientific outcomes. It provides guidance on planning and conducting scientific activities that minimize pain through the application of analgesia and anesthesia. The document also provides guidance specific to surgical procedures. This session will provide an overview of the guidelines document and offer the opportunity to discuss the new guidelines and share best practices and challenges in analgesia, anesthesia, and surgery.

Facilitator: Dr. Chereen Collymore | Charles River Laboratories Montréal ULC
Senneville & Sherbrooke

📍 Steveston

14:15 – 14:30

Travel Time to Next Session

BREAKOUT SESSIONS

14:30 – 15:30

Participants will choose **one** of the following concurrent sessions. Please note that the breakout sessions listed below are repeated from those offered in the morning and are delivered by the same facilitators.

Enhancing Animal Welfare and Scientific Rigour: Effective Habituation Techniques

Good animal welfare leads to better scientific outcomes. The process of habituation reduces stress in laboratory animals by gradually acclimating them to handling and procedures. It helps them adapt to human interaction and various scientific procedures through gradual training and positive reinforcement, and it helps laboratory staff to be mindful of the first signs of animal distress. This session will provide an overview of habituation techniques and offer the opportunity to share best practices and challenges.

Facilitator: Mr. Sam Laxer | Western University

📍 Steveston



Assessing the Welfare of Wildlife Animals

Assessing the welfare of wild animals and reporting welfare issues are important for minimizing negative welfare impacts during scientific activities, as is the efficacy of any mitigation measures, and will assist in refining procedures and humane intervention points for future activities. The *CCAC guidelines: Wildlife* lists potential indicators for assessing the welfare of wild animals and notes that any indicator must be tailored to the species and age of the animal and the type of scientific activity. This session will provide an overview of welfare assessment for wildlife and offer the opportunity to share best practices and challenges.

Facilitator: Dr. Shannon Digweed | MacEwan University

📍 Bridgeport

Reducing Teaching Animals in Veterinary Education

Veterinary training programs are increasingly adopting lifelike animal models, virtual reality, and client-owned animals as alternatives to institutionally owned colonies in their educational curriculum. Minimizing or eliminating purpose-bred and colony-maintained animals addresses the Three Rs and the overall progress of an institution towards improving animal welfare. The implementation of animal alternatives may be driven, or hindered, by many factors including student engagement, teaching modalities, institutional finances, and accreditation requirements. This session will explore one institution's history of introducing alternatives into their veterinary professional program with a focus on their recent discontinuation of maintaining teaching beagles.

Facilitator: Dr. Jonathan Spears | University of Prince Edward Island

📍 Lulu Island

15:30 – 15:45

Refreshment Break / Travel Time to Next Session

📍 Airport Ballroom Foyer

15:45 – 16:45

Plenary Session

A Rising Tide: Animal Welfare Refinements in a Multicentre Study of Sepsis

Moderator: Ms. Catherine Rushton | Chair, CCAC

Speaker: Dr. Janet Sunohara-Neilson | University of Guelph

📍 Airport Ballroom ABCD

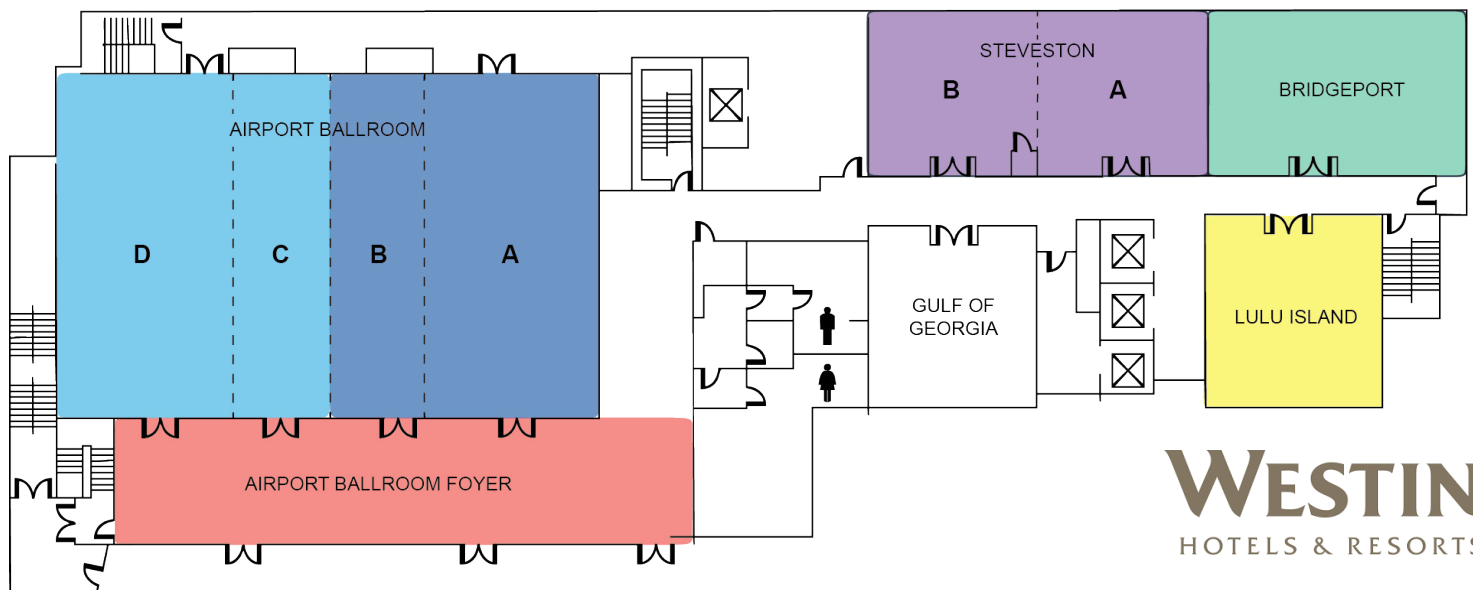
16:45 – 17:00

Closing and Thank You

Ms. Catherine Rushton | Chair, CCAC

Mr. Pierre Verreault | Executive Director, CCAC

📍 Airport Ballroom ABCD



WESTIN[®]
HOTELS & RESORTS

TIME	ACTIVITY	LOCATION
APRIL 30, 2025		
7:15 – 8:30	Registration and Breakfast	Airport Ballroom Foyer
8:30 – 10:00	Determining the Categories of Welfare Impact: A Practical Exercise	Airport Ballroom AB
	Ethical Animal Care and Use Programs: Essential Elements	Airport Ballroom CD
10:00 – 10:15	Refreshment Break	Airport Ballroom Foyer
10:15 – 11:45	Determining the Categories of Welfare Impact: A Practical Exercise	Airport Ballroom AB
	Ethical Animal Care and Use Programs: Essential Elements	Airport Ballroom CD
11:45 – 12:45	Lunch	Airport Ballroom Foyer
12:45 – 14:15	Determining the Categories of Welfare Impact: A Practical Exercise	Airport Ballroom CD
	Ethical Animal Care and Use Programs: Essential Elements	Airport Ballroom AB
14:15 – 14:30	Refreshment Break	Airport Ballroom Foyer
14:30 – 16:00	Determining the Categories of Welfare Impact: A Practical Exercise	Airport Ballroom CD
	Ethical Animal Care and Use Programs: Essential Elements	Airport Ballroom AB
17:30 – 20:00	CCAC Reception	Richmond Olympic Experience
MAY 1, 2025		
7:15 – 8:15	Registration and Breakfast	Airport Ballroom Foyer
8:15 – 8:30	Welcome Remarks	Airport Ballroom ABCD
8:30 – 9:30	Lost in Translation: Improving Translation and the Three Rs by Using Sex as a Discovery Variable in Animal Models	Airport Ballroom ABCD
10:45 – 10:45	Breakout Sessions	
	Reptiles	Lulu Island
	Scientific Procedures – Administration of Substances and Biological Sampling	Steveston
	Scientific Procedures – Analgesia, Anesthesia, and Surgery	Bridgeport
10:45 – 11:00	Refreshment Break	Airport Ballroom Foyer
11:00 – 12:00	Breakout Sessions	
	Enhancing Animal Welfare and Scientific Rigour: Effective Habituation Techniques	Steveston
	Assessing the Welfare of Wildlife Animals	Bridgeport
	Reducing Teaching Animals in Veterinary Education	Lulu Island
12:00 – 13:15	Lunch	Airport Ballroom Foyer
13:15 – 14:15	Breakout Sessions	
	Reptiles	Lulu Island
	Scientific Procedures – Administration of Substances and Biological Sampling	Bridgeport
	Scientific Procedures – Analgesia, Anesthesia, and Surgery	Steveston
14:30 – 15:30	Breakout Sessions	
	Enhancing Animal Welfare and Scientific Rigour: Effective Habituation Techniques	Steveston
	Assessing the Welfare of Wildlife Animals	Bridgeport
	Reducing Teaching Animals in Veterinary Education	Lulu Island
15:30 – 15:45	Refreshment Break	Airport Ballroom Foyer
15:45 – 16:45	A Rising Tide: Animal Welfare Refinements in a Multicentre Study of Sepsis	Airport Ballroom ABCD
16:45 – 17:00	Closing and Thank You	Airport Ballroom ABCD